

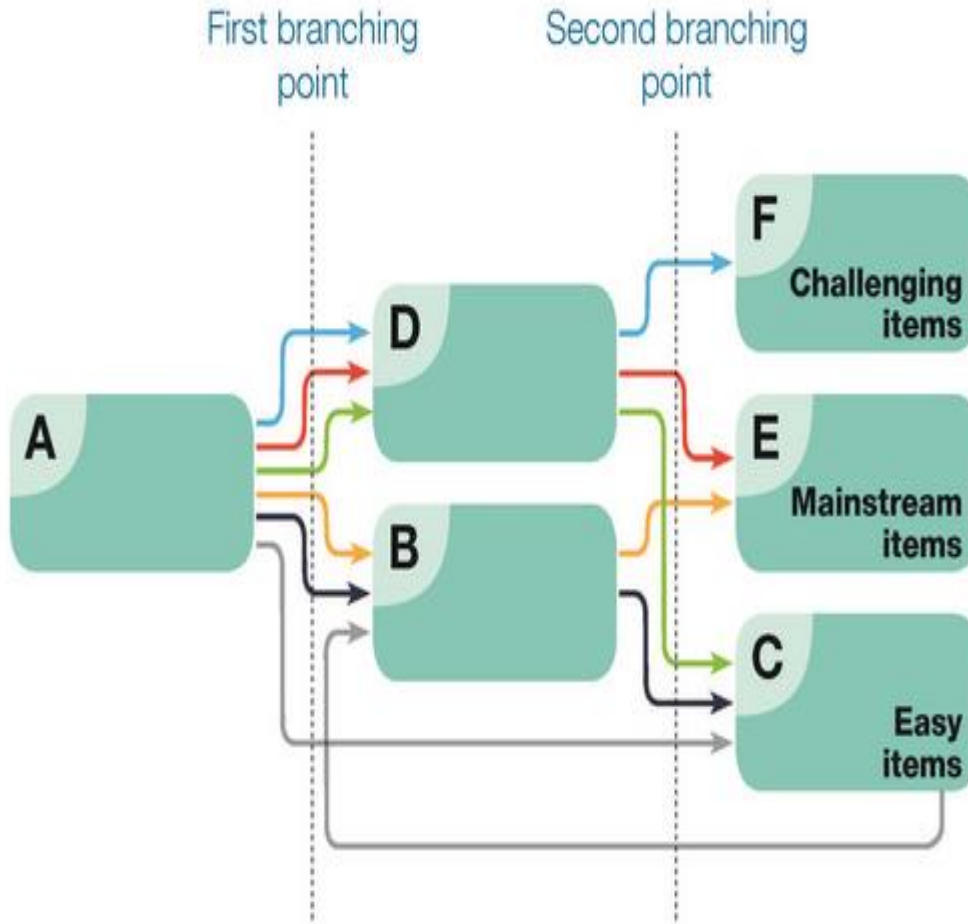


NAPLAN Online: Progress against national benchmarks

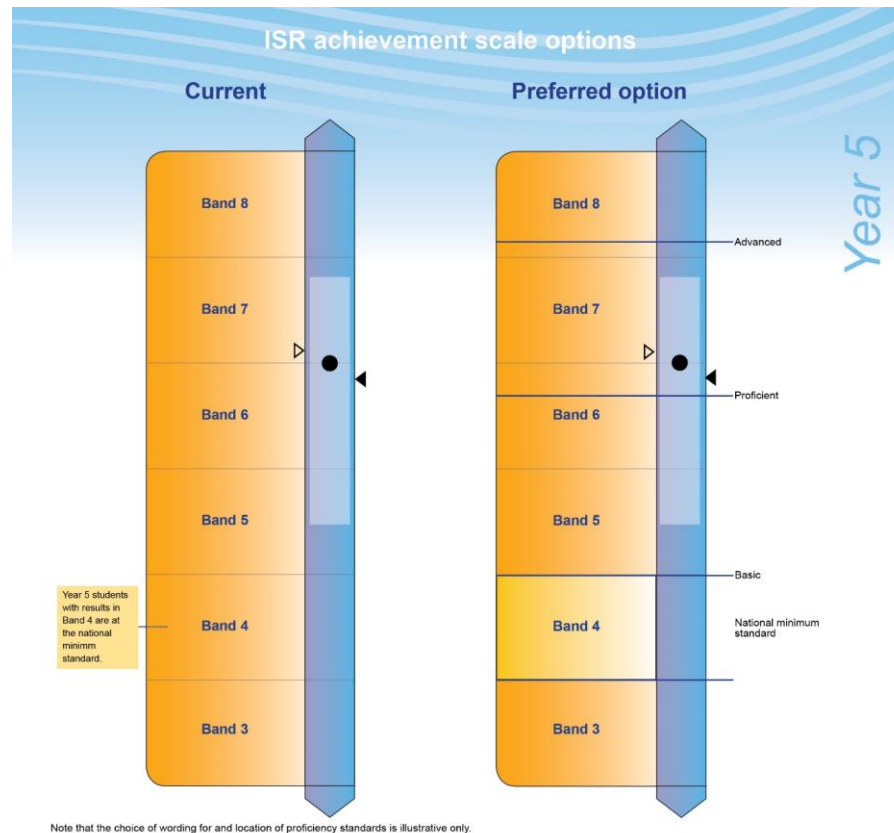
NSIP Stakeholder Conference 2015  
18 November 2015

Stanley Rabinowitz, Ph.D  
General Manager, Assessment and Reporting

# Online adaptive testing (TTD)

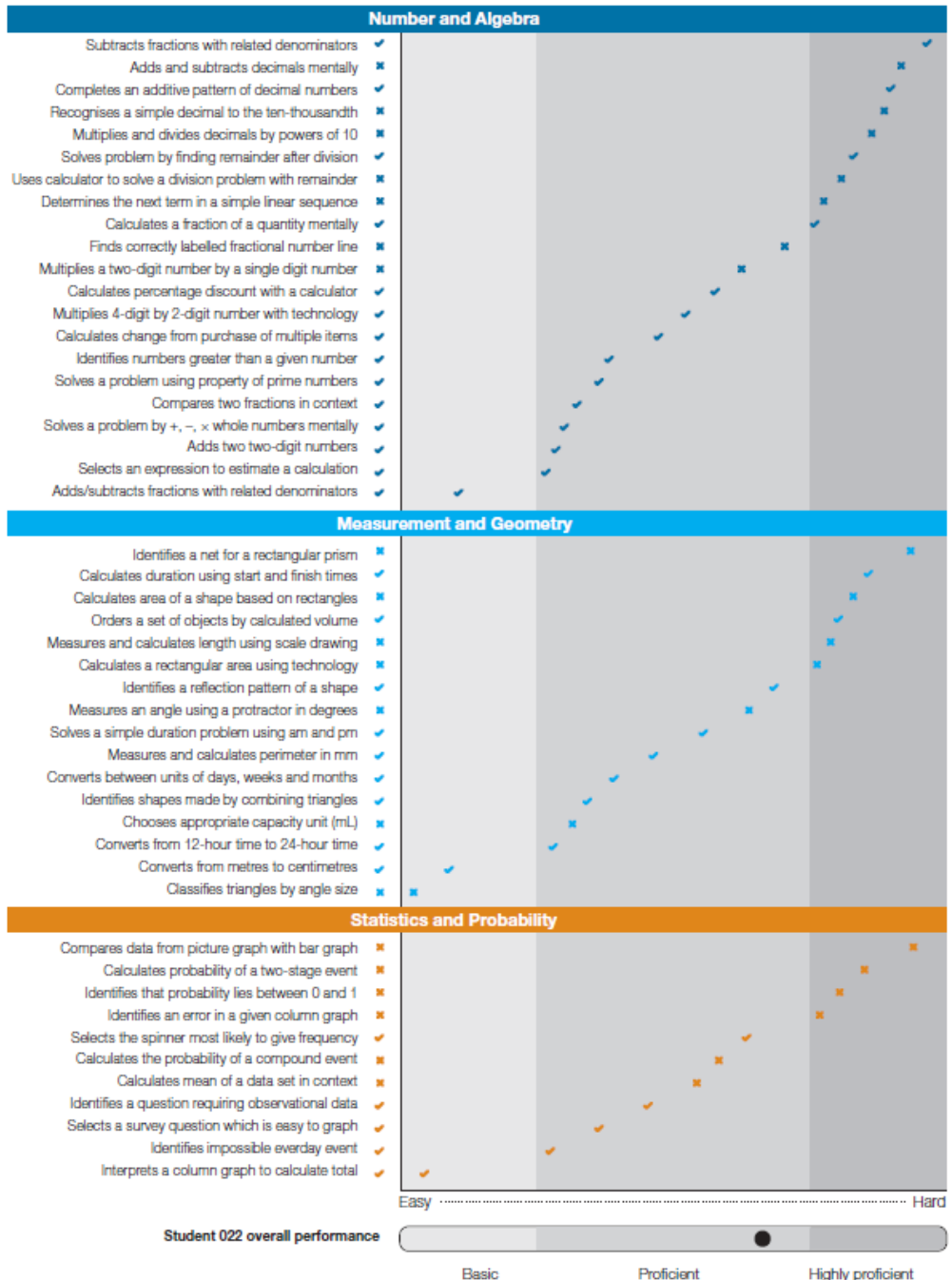


# Individual student report (ISR)



# SSSR: Student graph by sub-domain

## Student022: results for Numeracy



# SSSR: Student graph by domain

## Student022: results for Numeracy

MG - ■  
NA - ■  
SP - ■



Student 022 overall performance

Easy ..... Hard

Basic Proficient Highly proficient

# SSSR: School tables – filtering options

## School level item statistics

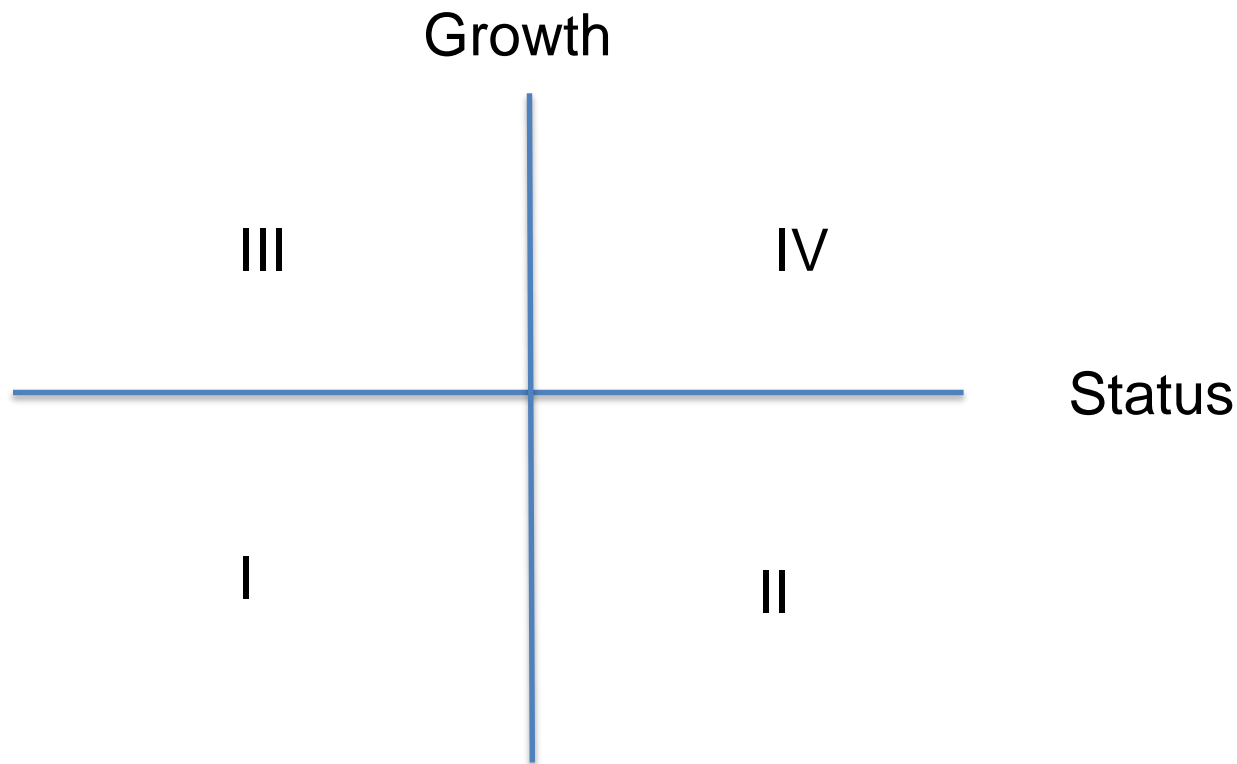
Domain: **Numeracy** (dropdown arrow)

Subdomain: **MG**, **NA**, **SP** (dropdown menu)

Item ID	Testlet	Item Difficulty	Pr Level	School incorrect	Subdomain 3	Descriptor
A1_1	A	444	B	11	arithmetic calculation	Adds two two-digit numbers
A1_2	A	506	P	17	arithmetic calculation	Multiplies a two-digit number by a single digit number
A2_1	A	428	B	4	arithmetic calculation	Adds two two-digit numbers
A2_2	A	516	P	17	arithmetic calculation	Multiplies a two-digit number by a single digit number
B1_3	B	536	P	6	linear patterns and rules	Determines the next term in a simple linear sequence
B2_3	B	541	B	8	linear patterns and rules	Determines the next term in a simple linear sequence
C_1	C	371	H	9	counting strategies	Counts a collection of objects grouped in pairs
D1_3	D	602	H	20	linear patterns and rules	Identifies and extends a linear pattern
D2_3	D	614	P	25	linear patterns and rules	Identifies and extends a linear pattern
E1_1	E	479	P	25	fractions, decimals and percentages	Compares two fractions in context
E2_1	E	485	H	22	fractions, decimals and percentages	Compares two fractions in context
F_1	F	593	H	17	symbolic manipulations	Identifies equivalent expressions by simplification

# Expanding the debate...

What is a “successful” school?



# Do you follow?



@ACARAeduau and @ACARA\_CEO



ACARAeduau



ACARAeduau



ACARAeduau



ACARAeduau



To receive the ACARA Update click subscribe on our website homepage: [www.acara.edu.au](http://www.acara.edu.au)